

# Type MEC-DL

## High Humidity Resistance DC Link Capacitor

Shizuki™ MEC-DL HHR capacitors are DC link capacitors with metallized polypropylene film construction. With radial leads and a plastic case, they feature high stability at high temperature and humidity. They are designed with ease of mounting and space utilization in mind. Their internal construction achieves low inductance and very low ESR. These qualities enable the reduction or elimination of the snubber circuit. As a result, they can handle much higher ripple current, and the bulk capacitance can also be reduced. These capacitors have self healing and internal fusing mechanisms in order to achieve higher safety at end of life.



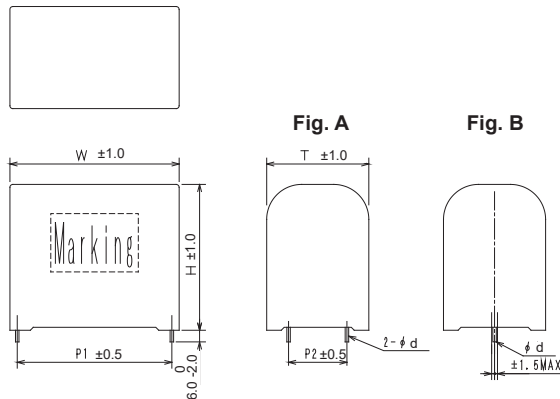
### General Specifications

Parameter	Value
Rated voltage	450VDC - 1100VDC
Capacitance	1.0 $\mu$ F - 100 $\mu$ F
Tolerance	$\pm$ 5%, $\pm$ 10%
Humidity Resistance	85%, 85C, 1000 hours
Temperature Range (operational)	-40/85C
Max. Permissible Temperature	105C (Capacitor surface)
D.F. (at 1kHz, 20C)	$\leq$ 50 $\mu$ F 0.2% max., >50 $\mu$ F 0.3% max.
Terminal to terminal test (10 sec.)	1.5 $\times$ V <sub>R</sub> (VDC)
Insulation resistance (1 min. at 20C)	>1000/CR M $\Omega$ at 100VDC
Flame retardant	UL94V-0 (Case and sealing)
Standards	IEC61071, JEM1419

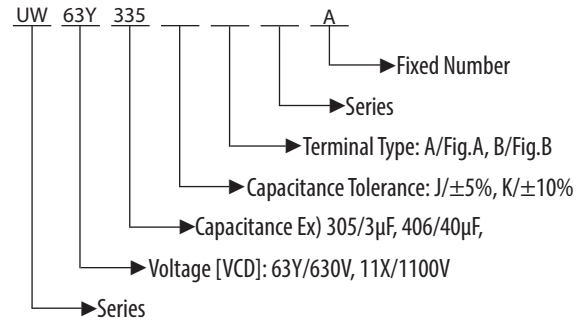
### Applications

Applications include but are not limited to: DC link and DC filtering, solar inverters, wind power generation, industrial power supplies, and inverter circuit for appliances.

## Dimensions [mm]:



## Construction of Parts Code



## Ordering Information

$V_R^{*1}$ [VDC]	$C_R$ [ $\mu$ F]	Dimensions [mm]					$I_{rms}^{*2}$ [Arms]	ESR <sup>*3</sup> [m $\Omega$ ]	dv/dt <sup>*4</sup> [V/ $\mu$ s]
		W	H	T	P1	P2			
630	3.3	32.0	27.5	18.0	27.5	-	4.0	4.6	53
800	7.5	32.0	38.5	22.0	27.5	-	8.0	8.1	53
900	40	58.0	50.0	35.0	52.5	20.3	16.0	5.3	27
1000	4.7	32.0	50.0	22.0	27.5	-	9.0	7.4	88
1100	1.0	32.0	27.5	18.0	27.5	-	3.0	30.0	103
1100	3.0	32.0	38.5	22.0	27.5	-	6.0	11.6	88

\*1 Operating temperature at 85C

\*2 The maximum rms current for continuous operation (Max. at 10kHz, Tamb.+70°C)

\*3 Typical value at 10kHz

\*4 Continuous voltage pulse slope in expected lifetime

Other voltage and capacitance values are available on request.

*American Shizuki Capacitors specializes in creating made-to-order solutions for your unique application. Please don't hesitate to ask us about customized components.*

**ASC**<sup>®</sup>  
**CAPACITORS**  
A MEMBER OF SHIZUKI ELECTRIC CO.,INC

sales@ascapacitor.com  
www.ascapacitor.com  
phone: 308-284-3611  
fax: 308-284-8324